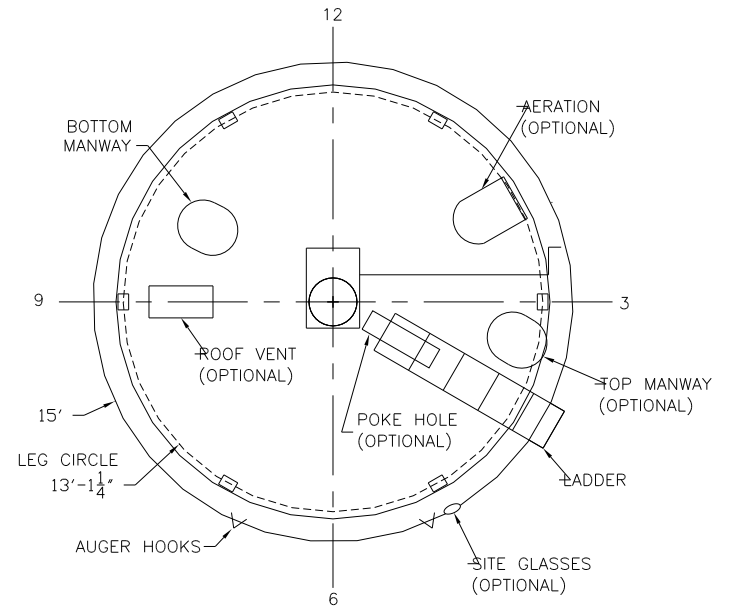


MODEL 1530G SIDE VIEW

SCALE: NTS



ACCESSORIES LOCATIONS

SCALE: NTS

AMBER WAVES, INC.
 RICHARDTON, ND
 PH 701-974-4230
 FAX 701-974-4231

15 FT DIA BIN
 MODEL 1530G SIDE VIEW

DRAWN: JAH
 CHK'D:
 DATE: 3/4/04
 SCALE: NTS

JOB NUMBER

SHEET NUMBER

1530G

REVISION NUMBER 0